

Low noise Vertical Multistage Pump, the motor is cooled by pumped liquid, whilst simultaneously reducing the noise levels as the liquid passes around the motor within a water jacket. The double mechanical seal with interposed chamber containing lubrication fluid ensuring long life and reliability. Suitable for booster sets, water features and irrigation systems. This pump is also suitable for installations where the pump is required to run under flood conditions. Supplied with 5 mts. cable length type HO7 RNF.



SPECIFICATIONS

- Maximum working pressure: 10 bar
- Maximum liquid temperature:
35°C according EN 60335-2-41 for domestic uses
40°C for other uses

MATERIALS

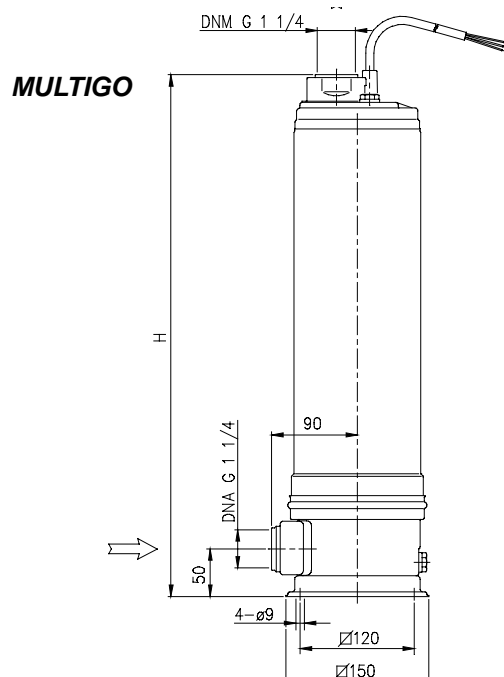
- Pump body, casing cover, external casing and motor casing in AISI 304
- Impeller and diffuser in tecnopolymer
- Shaft in AISI 416
- Mechanical seal in carbon/ceramic/NBR

TECHNICAL DATA

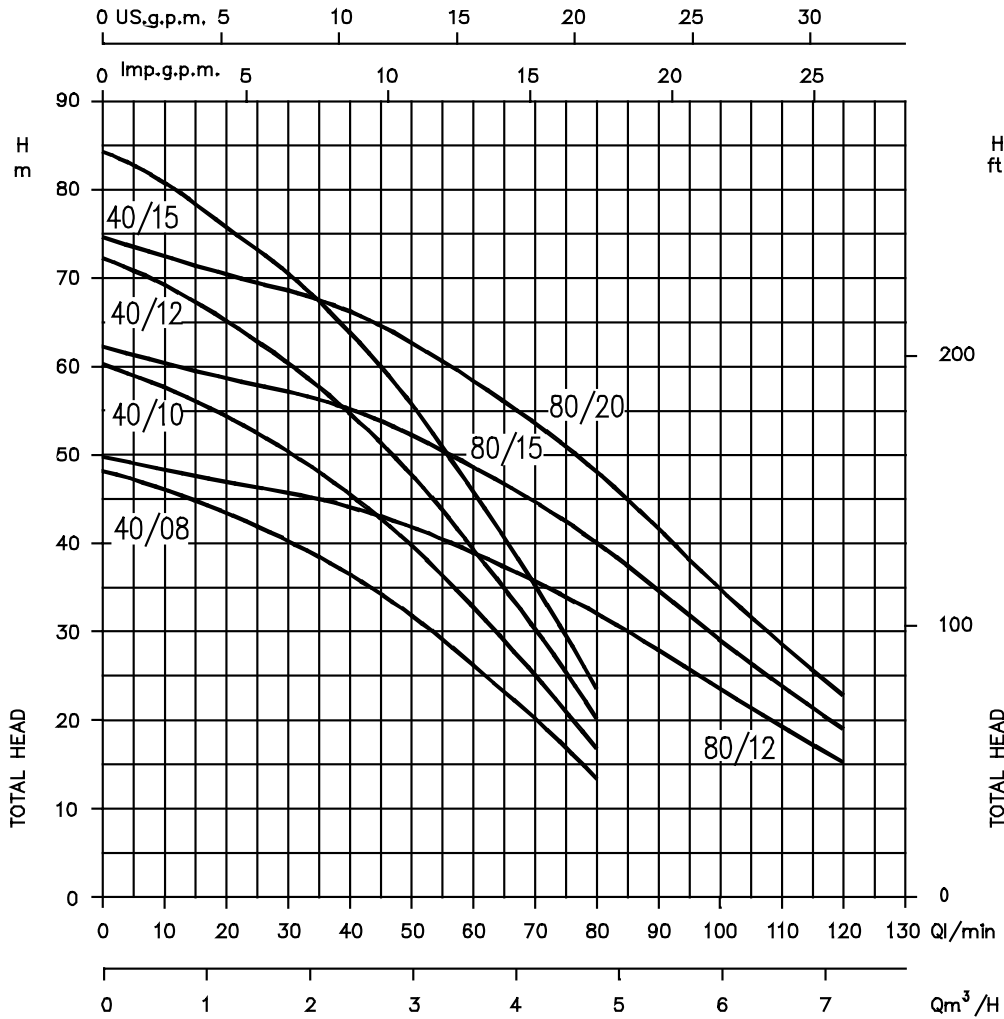
- Asincronous 2 poles motor cooled by the pumped liquid
- Insulation class F
- Protection degree IP68
- 1~230V ± 10% 50Hz, 3~400V ± 10% 50Hz
- Permanent split capacitor and automatic thermal overload protection for single-phase version
- Thermal protection to be provided by the user for three-phase version
- DNA- DNM 1 1/4

DIMENSIONAL TABLE

Pump type		H mm	Weight Kg	
Single-phase	Three-phase		1-	3-
MULTIGO M 40/08	MULTIGO 40/08	547	13,4	13,0
MULTIGO M 40/10	MULTIGO 40/10	573	14,4	14,0
MULTIGO M 40/12	MULTIGO 40/12	624	14,8	14,4
MULTIGO M 40/15	MULTIGO 40/15	650	16,4	16,0
MULTIGO M 80/12	MULTIGO 80/12	573	14,8	14,4
MULTIGO M 80/15	MULTIGO 80/15	598	16,1	15,7
-	MULTIGO 80/20	624	-	17,2



PERFORMANCE CURVES (according to ISO 9906 grade 2)



PERFORMANCE TABLE

Pump type		kW	Capacitor		Absorbed Current (A)		l/min m ³ /h	Q=Capacity						
Single-phase 230V 50Hz	Three-phase 400V 50Hz		μF	V _c	1~ 230V	3~ 400V		20	30	40	60	80	100	120
		H=Total head												
MULTIGO M 40/08	MULTIGO 40/08	0,6	16	450	4,3	1,9	43,3	40,2	36,3	26,1	13,4	-	-	
MULTIGO M 40/10	MULTIGO 40/10	0,75	20	450	5,7	2,2	54,1	50,2	45,4	32,6	16,8	-	-	
MULTIGO M 40/12	MULTIGO 40/12	0,9	20	450	6,8	2,4	64,9	60,2	54,5	39,2	20,2	-	-	
MULTIGO M 40/15	MULTIGO 40/15	1,1	31,5	450	7,3	3,0	75,7	70,3	63,6	45,7	23,5	-	-	
MULTIGO M 80/12	MULTIGO 80/12	0,9	20	450	6,4	2,3	-	45,6	44	38,8	32	23,2	15,2	
MULTIGO M 80/15	MULTIGO 80/15	1,1	31,5	450	7,5	3,1	-	57	55	48,5	40	28	19	
-	MULTIGO 80/20	1,5	-	-	-	3,5	-	68,4	66	58,2	48	34,8	22,8	