

Self priming electropump manufactured in stainless steel AISI 304 suitable for water supply, domestic pressure boosting and small irrigation systems, pool and tank emptying and general clean water pumping.



### SPECIFICATIONS

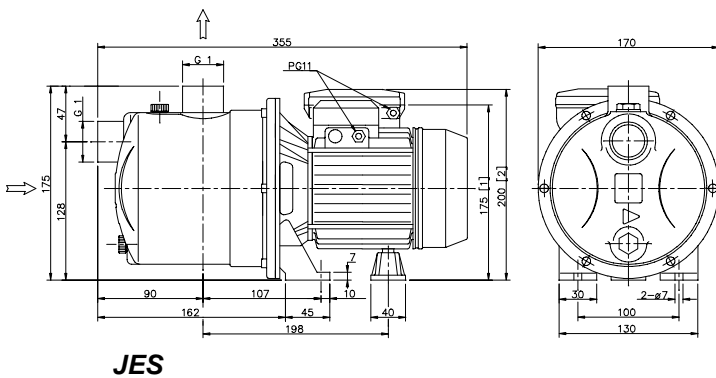
- Maximum working pressure: 6 bar
- Maximum liquid temperature: 35°C according EN 60335-2-41 for domestic uses 60°C for other uses

### MATERIALS

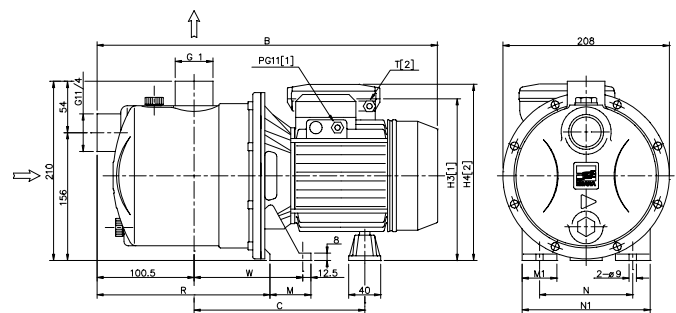
- Pump body, casing cover in AISI 304
- Shaft in AISI 303
- Impeller in AISI 304 for JEX, in tecnopolymer for JESX
- Mechanical seal in carbon/ceramic/NBR

### TECHNICAL DATA

- Asincronous 2 poles motor
- Insulation class F
- Protection degree IP54
- 1~230V ± 10% 50Hz, 3~230/400V ± 10% 50Hz
- Permanent split capacitor and automatic thermal overload protection for single-phase version
- Thermal protection to be provided by the user for three-phase version
- DNA 1" for JESX, 1 1/4" for JEX
- DNM 1"



JES



JEX

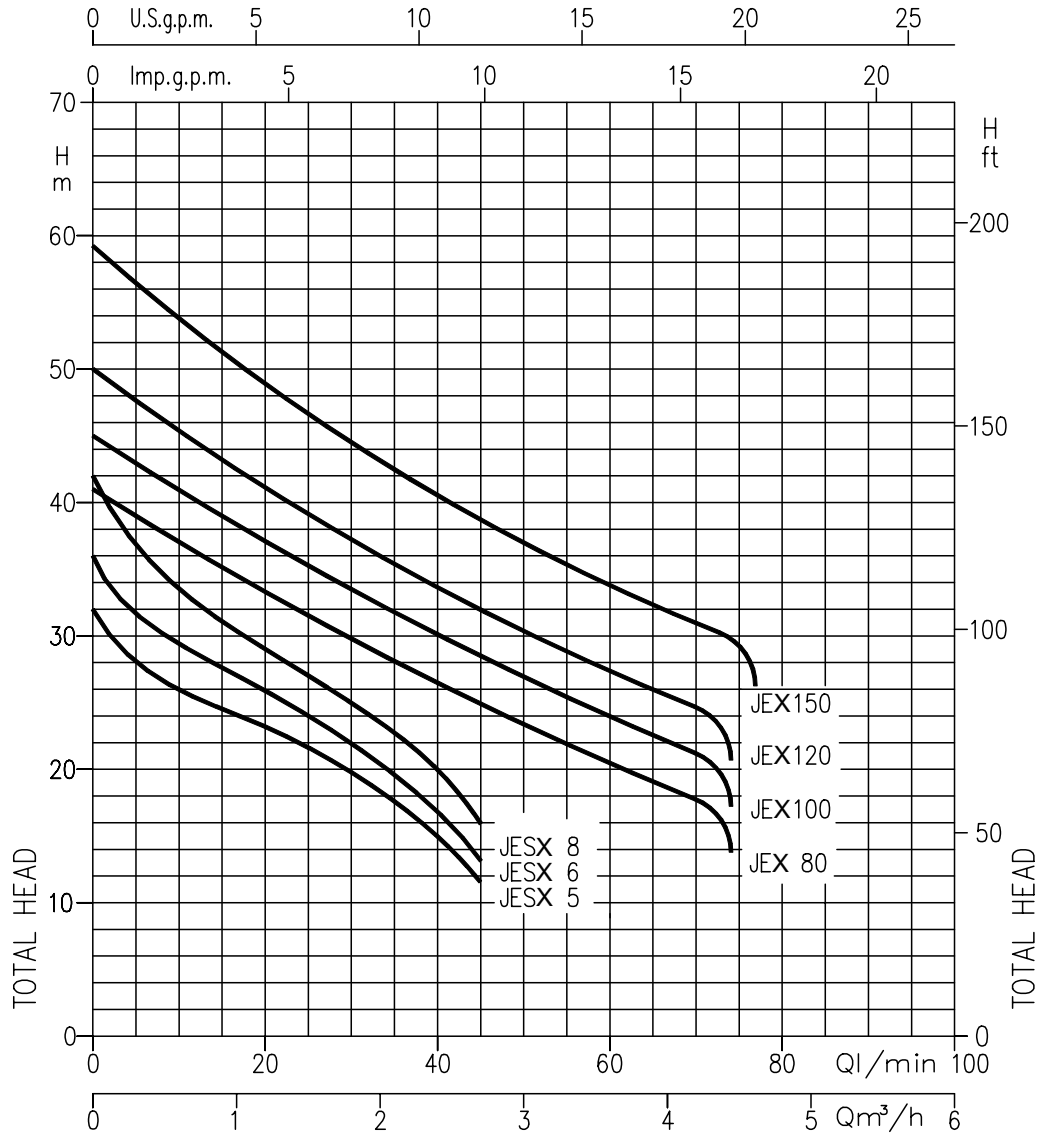
[1] : 3 -  
[2] : 1 -

### DIMENSIONAL TABLE

Pump type		Dimensions (mm)										Weight Kg	
		B	C	H3	H4	M	M1	N	N1	R	T		W
Single-phase	Three-phase												
JEXM 80	JEX 80	417	230	206	215	50	38	120	160	206	PG11	143	10,5
JEXM 100	JEX 100	417	230	206	215	50	38	120	160	206	PG11	143	10,8
JEXM 120	JEX 120	417	230	206	215	50	38	120	160	206	PG11	143	11,5
JEXM 150	JEX 150	445	250	216	240	55	40	140	180	203,5	PG13,5	145,5	14,1

Pump type		Weight
Single-phase	Three-phase	Kg
JESXM 5	JESX 5	5,1
JESXM 6	JESX 6	5,5
JESXM 8	JESX 8	6,1

## PERFORMANCE CURVES (according to ISO 9906 grade 2)



## PERFORMANCE TABLE

Pump type		kW	Capacitor		Absorbed Current (A)			l/min m³/h	Q=Capacity									
Single-phase 230V 50Hz	Three-phase 230/400V 50Hz		µF	Vc	Single-phase	Three-phase 230V 400V			5	20	30	40	45	50	60	70	75	
								H=Total head										
JESXM 5	JESX 5	0,37	10	450	2,1	1,5	0,85	28	23	20	15	11,5	-	-	-	-		
JESXM 6	JESX 6	0,44	10	450	2,4	1,9	1,1	31,5	26	22	17	13,5	-	-	-	-		
JESXM 8	JESX 8	0,6	12,5	450	3,0	2,3	1,3	37	29	25	20	16	-	-	-	-		
JEXM 80	JEX 80	0,6	16	450	4,7	3,3	1,9	39	33	29	26,5	25	23,5	20,5	18	-		
JEXM 100	JEX 100	0,75	20	450	6,4	4,5	2,6	43	37	33,5	30	28	27	24	21	-		
JEXM 120	JEX 120	0,88	20	450	6,7	4,7	2,7	47,5	41	37	34	32	30,5	27,5	24,5	-		
JEXM 150	JEX 150	1,1	31,5	450	8,0	5,6	3,3	56	49	44,5	40,5	38,5	37	34	31	29,5		